



TOOLS NEEDED

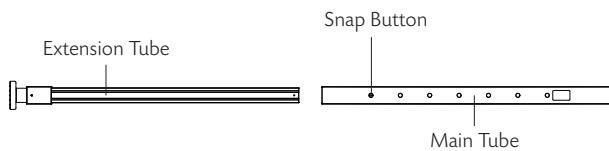
- Philips Screwdriver

COMPONENTS

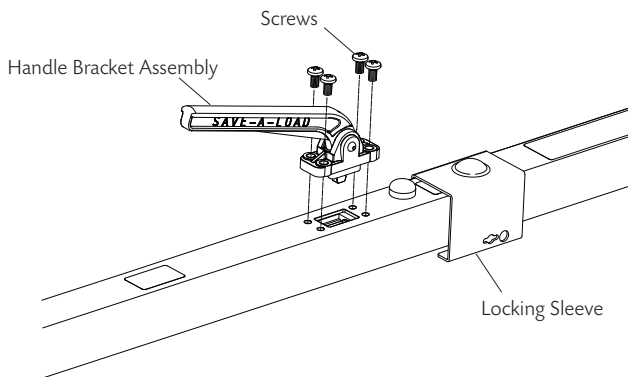
- 1 – Locking Sleeve 080-LS-10
- 1 – Self Drilling Screw

ASSEMBLING LOCKING SLEEVE TO SL-30 & SL-20 SERIES LOAD BAR

1. Depress the snap button to release the extension tube from the main tube.



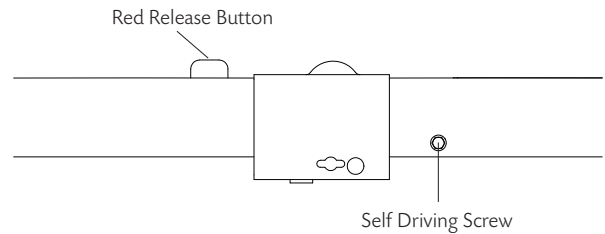
2. Remove the handle bracket assembly by unscrewing the four screws from the handle bracket and lift off.



3. Slide the locking sleeve on the main tube from the extension tube end and over the red release button. Ensure offset on sleeve matches offset of release button.

4. Reinstall the handle bracket assembly.

5. Insert self-drilling screw as shown below. Make sure it is located in the bottom groove of the main tube.



IMPORTANT:

Inserting the self-drilling screw anywhere but the location noted in step five could risk damage to the internal hydraulic pump.

To secure your load bar, simply slide the locking sleeve collar over the release button and secure with padlock (not provided).