



BY **IFLEET ENGINEERS**

1800 EAST KEATING AVENUE
MUSKEGON, MI 49442
PH: 1-800-333-7890 • F: 231-777-2720

INSTALLATION INSTRUCTIONS

24" x 75" Hoop Assembly Instructions For SL-30 or SL-20 Load Bars

INS-S5010/C



TOOLS NEEDED

- Mallet
- Hammer
- Drill and #11 drill bit
- 7/16" wrench or socket (2)

ASSEMBLING THE HOOP

NOTE: Your hoop may have shipped fully assembled. If fully assembled, skip to ATTACHING THE HOOP TO SL-30 or SL-20 LOAD BAR.

COMPONENTS

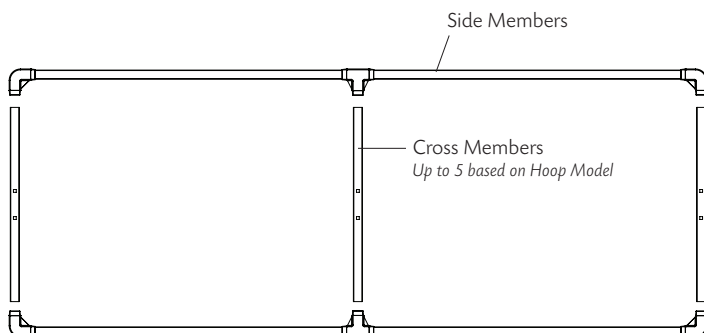
080-HP11-UCR

- 2 – Side Members
- 3 – Cross Members
- 7 – Rivets (standard kit only 080-HP11-UCR)

080-HP11-UDR

- 2 – Side Members
- 5 – Cross Members
- 11 – Rivets (standard kit only 080-HP11-UDR)

1. Insert all cross members into slots of side members making certain to align holes.
2. Insert second side member (aligning holes) onto the cross members. Use a mallet if necessary.
3. Insert rivets into pre-drilled holes and strike pin sharply with a hammer to expand the rivet.



ATTACHING THE HOOP TO SL-30 OR SL-20 LOAD BAR

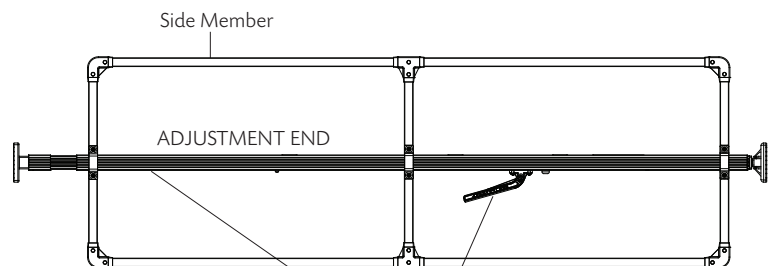
COMPONENTS

- 1 – Save-A-Load® SL-30 or SL-20 Series Load Bar
- 1 – Save-A-Load® HP-11 CR or HP-11 DR Assembled Hoop 24" x 75"
- 1 – Hardware Kit
 - Standard: (3 brackets, 6 bolts, 6 flat washers, 6 lock nuts, 1 rivet)
 - Non-Sparking: (3 brackets, 6 bolts, 12 flat washers, 6 lock nuts)

1. Lay the hoop on a flat surface.
2. Insert bolts (use flat washers if using non-sparking hardware) through the holes in bottom side of all cross members.
3. Lay the Save-A-Load® bar on top of the hoop between the bolts on its side with the handle facing toward a side member.

IMPORTANT:

Installing the load bar with the handle facing up or down could result in damage to the handle when in use.

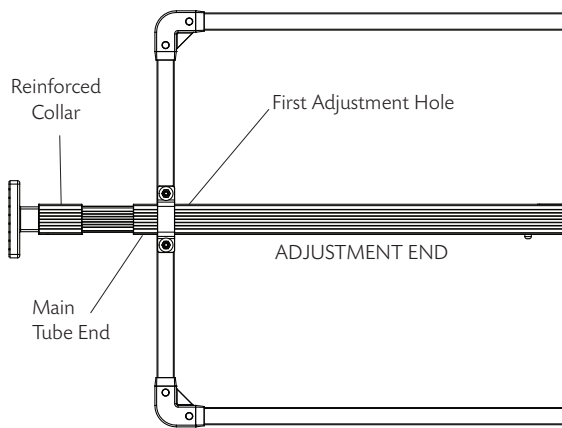


Handle and adjustment holes MUST face side member. DO NOT face the handle up.

4. Position the bar so the bolts are between the end of the main tube on the adjustment end and first adjustment hole.

IMPORTANT:

Failure to install the end bracket between the end of the main tube and first adjustment hole could result in damage to the inside of the bar when the center bracket rivet is installed.



5. Align the brackets over the bolts and place over the bar, pressing down firmly. Do this for all bracket locations.
6. Install flat washer and lock nut on each bolt and tighten.

IMPORTANT:

Do not over tighten lock nuts.

7. OPTIONAL: Using a #11 drill bit, drill a hole where the center bracket hole and main tube align. Install rivet in hole of center bracket only.

CAUTION

DO NOT install a rivet on any other bracket. Installing a rivet in any location other than the center bracket will interfere with bar operation.